

R3-1 Push-to-Close Latch

Pull-to-open · Paddle handle · Entry door latch



Features

- Environmentally sealed
- Dual sided access and locking

Notes

- Mounting plate, striker plate and all mounting screws except striker plate screws are provided with each lock set

Accessories

- Replacement screws: R3-13-310
- Overmolded key, keyed alike CF305 (2 keys per ring): PK-10-01-09-CF305

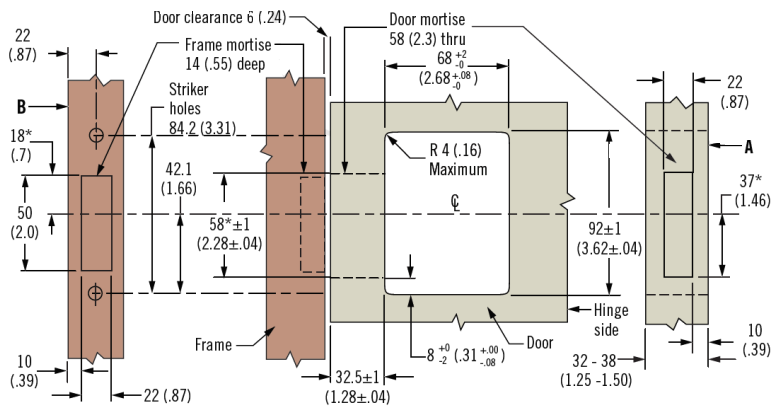
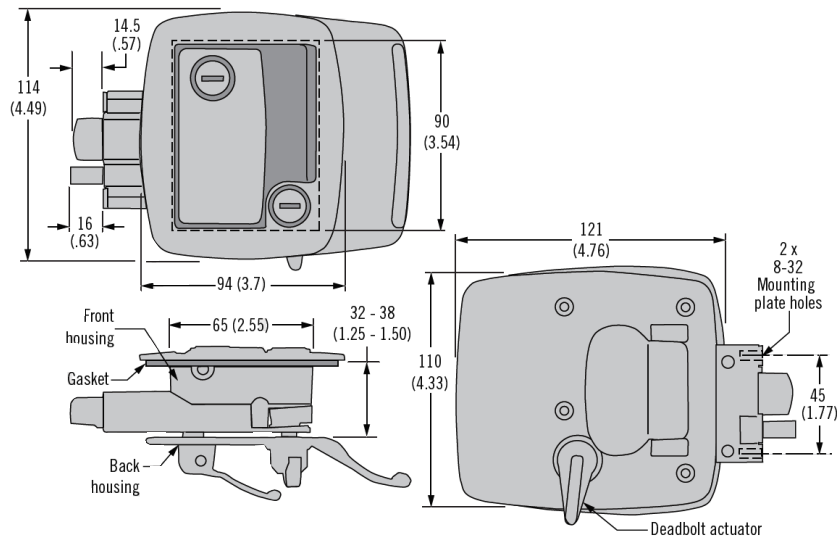


Material

- Latch assembly: Zinc alloy, black powder coated or white or chrome plated
- Slide bolt: Zinc alloy, zinc plated
- Striker mounting plates and brackets: Steel, zinc plated

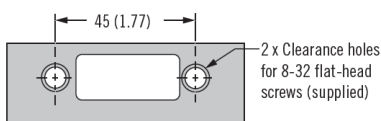
Product Performance

- Maximum working load: 560 N
- Operating temperature range: -18 °C to 60 °C
- Maximum tightening torque on mounting screws: 2 N.m

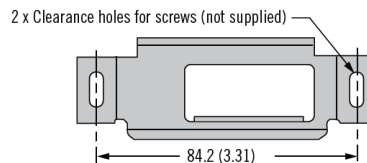


*For left hand mounting mirror the dimensions marked with * by moving them to the other side of the centerline.

Mounting Plate



Striker Plate



Finish	Latch Part Number
Chrome, polished	R3-10-311-10
Black powder coated	R3-10-311-50
White Powder coated	R3-10-311-70

Part Number	
Mounting plate	R3-13-190
Striker plate	R3-13-180